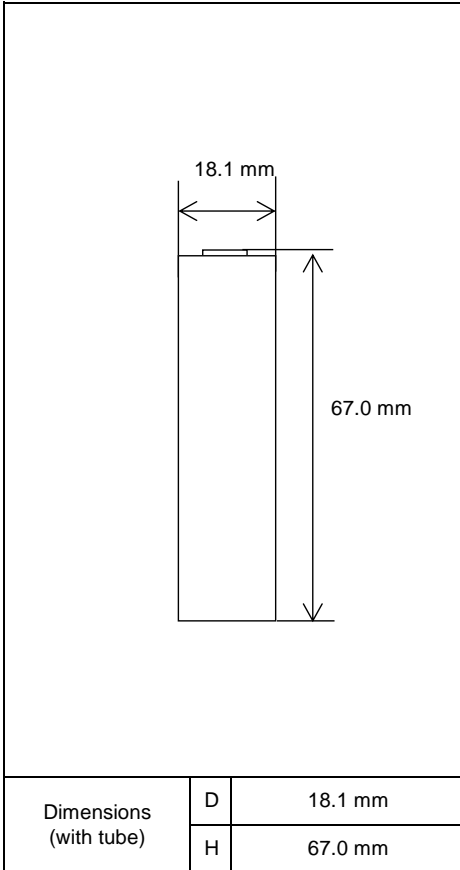


### Specifications

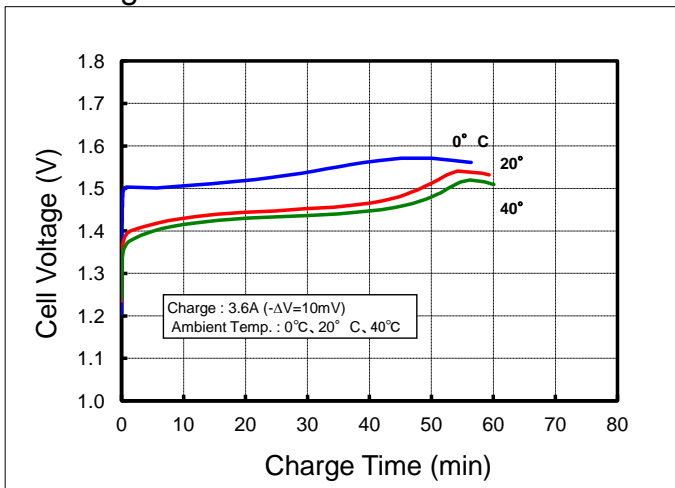


|  |                           |                           |
|--|---------------------------|---------------------------|
| Type : Nickel-Metal Hydride Battery                                |                           | Size : 4/3FA              |
| Capacity <sup>1)</sup>   | Typical                   | 3600mAh                   |
|  | Minimum                   | 3400mAh                   |
| Nominal Voltage  |                           | 1.2V                      |
| Charging Current x Time  | Fast Charge <sup>2)</sup> | 3600 mA x about 1.1h      |
| Ambient Temp.  | Charge Condition          | Fast Charge <sup>2)</sup> |
|  | Discharge Condition       | 0°C - 50°C                |
|  | Storage Condition         | Less than 30days          |
| Less than 90days   |                           | -20°C - 40°C              |
| Less than 1year  |                           | -20°C - 30°C              |
| Internal Impedance <sup>3)</sup><br>(after discharge to E.V.=1.0V) |                           | Approx. 7 mΩ(at 1000Hz)   |
| Weight <sup>4)</sup>   |                           | Approx. 59 g              |
| Size <sup>4)</sup> : (Diameter) x (Height)                         |                           | 18.1(D) x 67.0(H) mm      |

- 1) Single cell capacity under the following condition.  
Charge : 360mA x 16h, Discharge : 720mA (E.V.=1.0V) at 20°C
- 2) Use recommended charging system.
- 3) After a few charge and discharge cycles under the above 1) condition.
- 4) With tube.

### Typical Characteristics

#### Charge



#### Discharge

